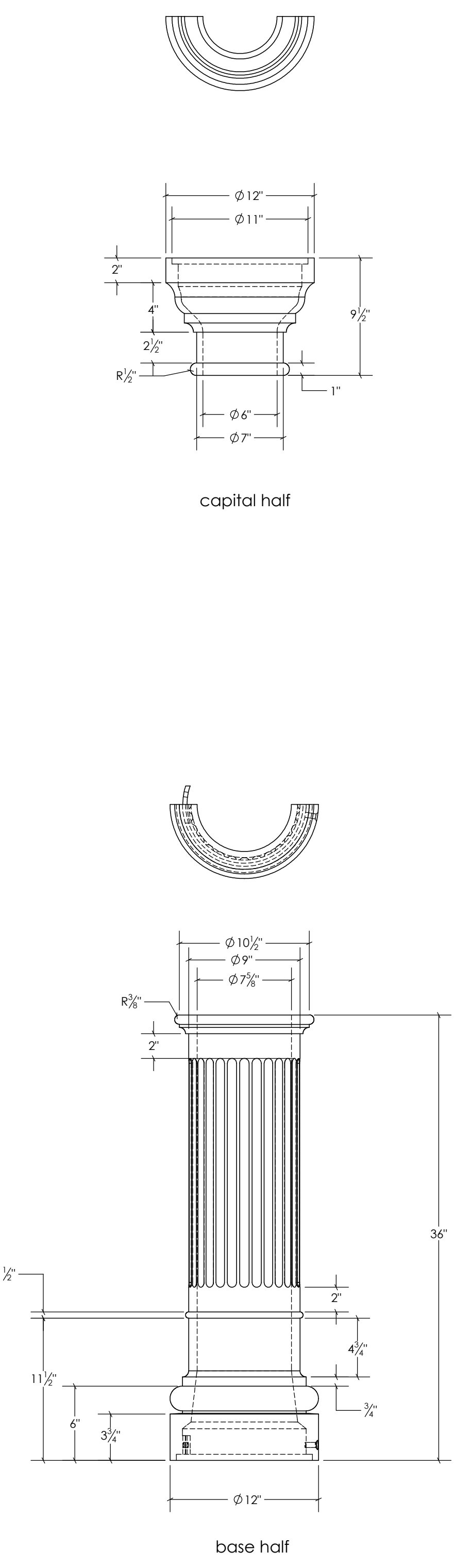
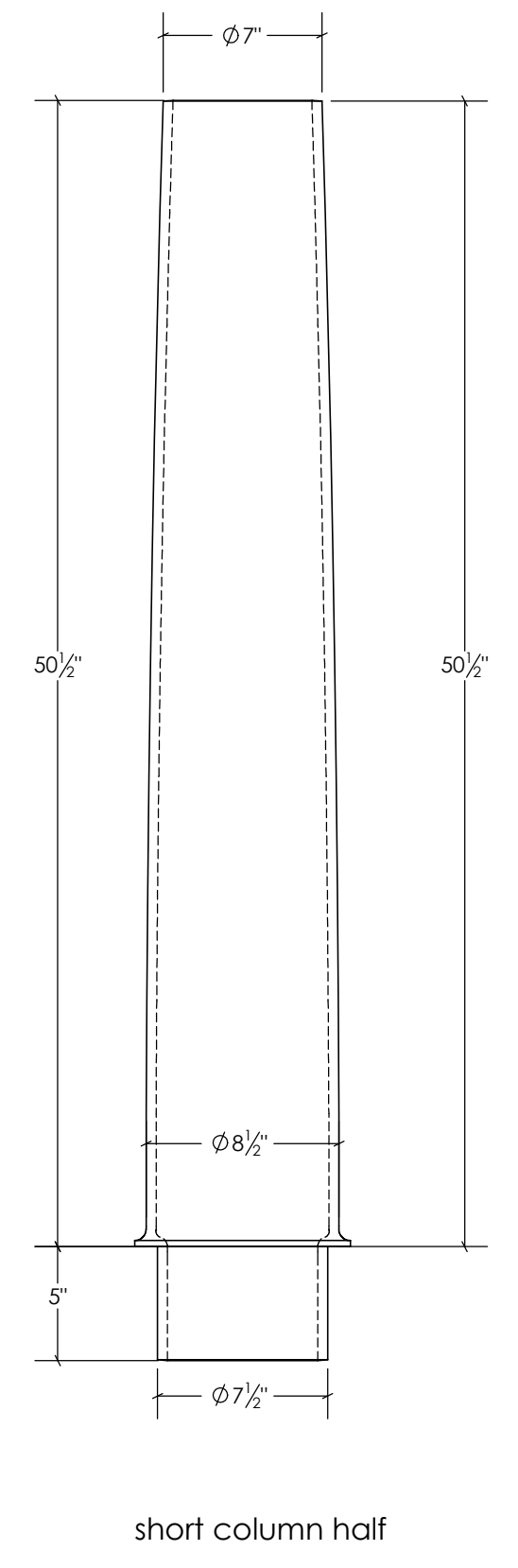
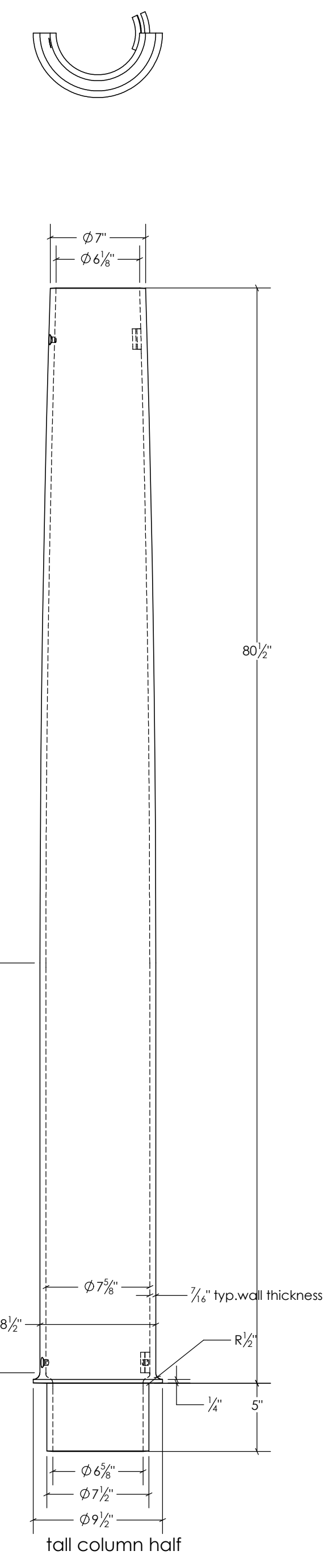


NOTES:
1: ALL PARTS TO BE CAST ALUMINUM
2: 3 PART TNEMEC PAINT SYSTEM
COLOR TO BE DETERMINED



Allen Architectural Metals, Inc
100 Homer Drive, Talladega, AL 35161
Phone: 800-204-3858 FAX: 256-761-1967
www.allenmetals.com

JOHN ULMER & SON BUILDERS ANTHONY RESIDENCE ALUMINUM COLUMNS <small>PROPRIETARY AND CONFIDENTIAL</small> <small>THE INFORMATION CONTAINED IN THIS DRAWING IS THE SOLE PROPERTY OF ALLEN ARCHITECTURAL METALS, INC. ANY REPRODUCTION IN PART OR AS A WHOLE WITHOUT THE WRITTEN PERMISSION OF ALLEN ARCHITECTURAL METALS IS PROHIBITED.</small>	<small>UNLESS OTHERWISE SPECIFIED:</small> DIMENSIONS ARE IN INCHES TOLERANCES: FRACTIONALS: ± .005 ANGULARS: MACH ± .005 TWO PLACE DECIMAL ± .01 THREE PLACE DECIMAL ± .005 D.A. COMMENTS:	NAME: _____ DATE: 02/18/2012 DRAWN: _____ CHECKED: _____ ENG. APPR.: _____ MFG. APPR.: _____ Q.A.: _____ COMMENTS:	TITLE: ALUM COLUMNS SIZE: D DWG. NO.: SD-1 SCALE: 1:1 WEIGHT: _____ SHEET 1 OF 1
	FINISH: TNEMEC SERIES 73 COLOR T.B.D.	INTERPRET GEOMETRIC TOLERANCING PER: _____ MATERIAL: _____ COMMENTS:	REV: _____ SHEET 1 OF 1